

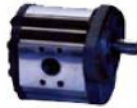


Bell Hydromatics

Gear Pumps

HGP Series

OP Series

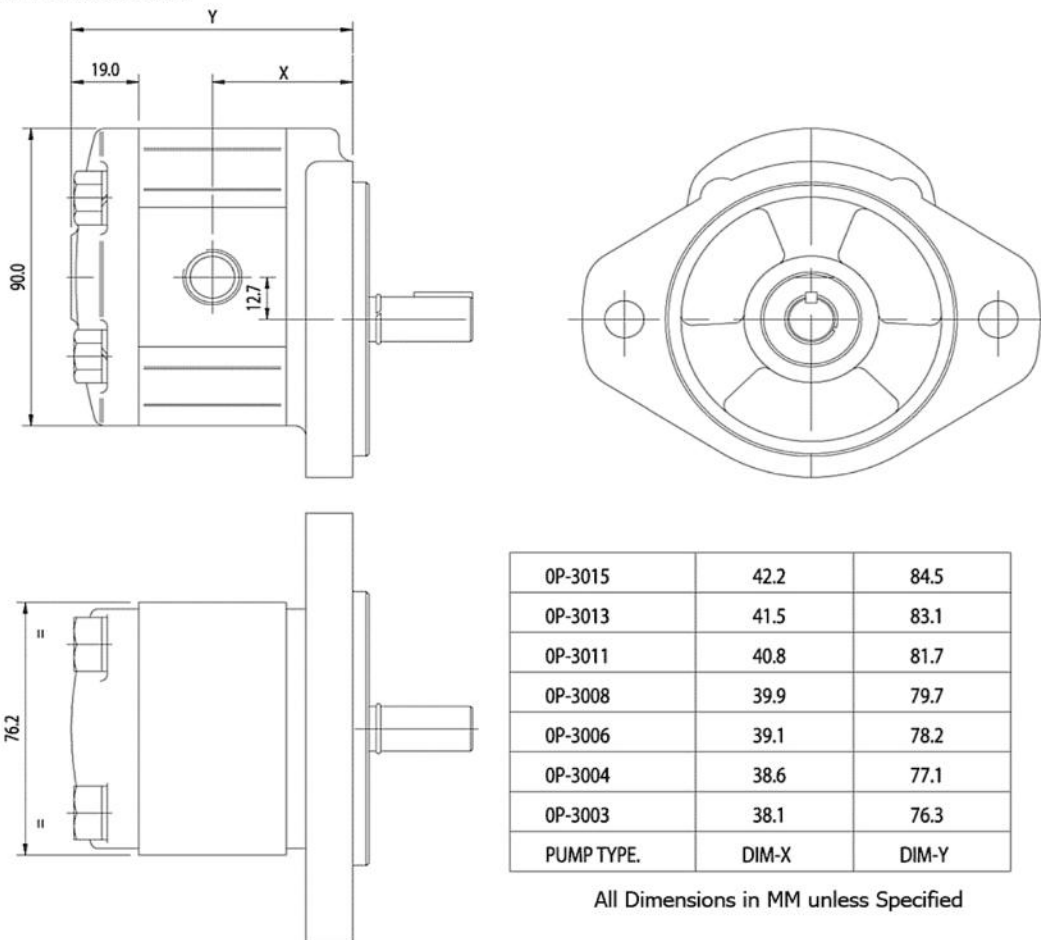


Performance Data

- Pressures quoted are relief valve maximum by-pass
- Performance with SAE 20W oil at 50°C

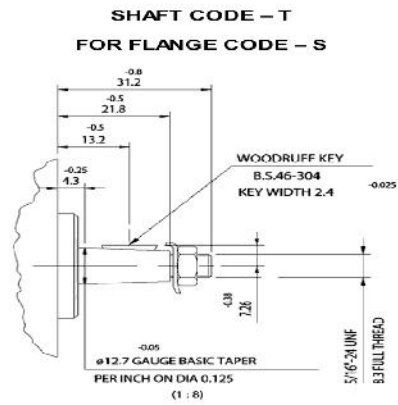
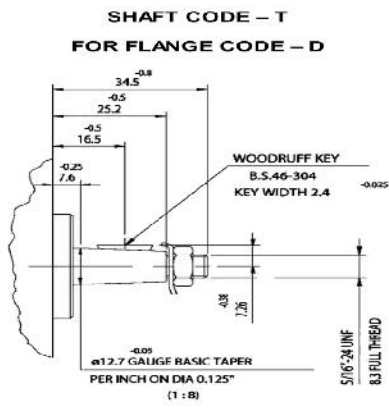
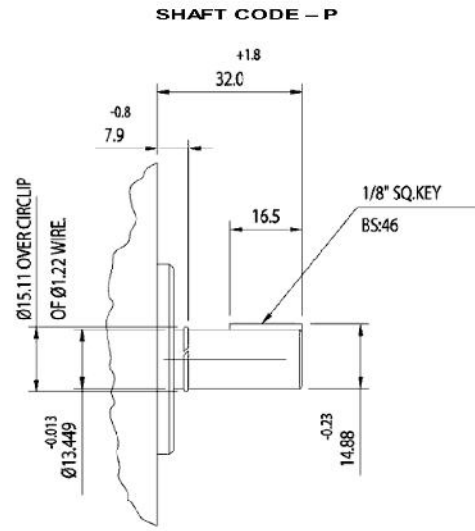
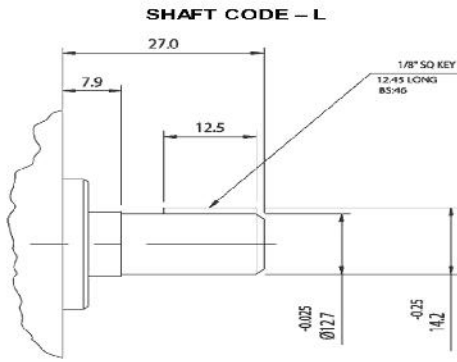
Pump Type	Nominal Displacement (cc/rev)	Nominal Delivery @ 1500 rpm & Pressure P (lpm)	Maximum Continuous Pressure P		Speed at Maximum Continuous Pressure P	
			psi	bar	Max.	Min.
3003	0.80	1.20	3000	207	4000	500
3004	1.20	1.80	3000	207	4000	500
3006	1.67	2.50	3000	207	4000	500
3008	2.27	3.40	3000	207	4000	500
3011	3.20	4.80	3000	207	4000	500
3013	3.87	5.80	3000	207	4000	500
3015	4.53	6.80	3000	207	4000	600

Installation Dimensions

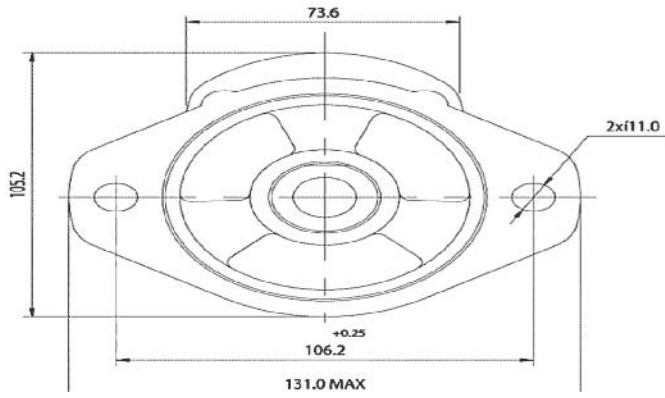
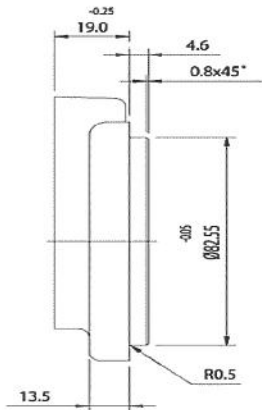


All Dimensions in MM unless Specified

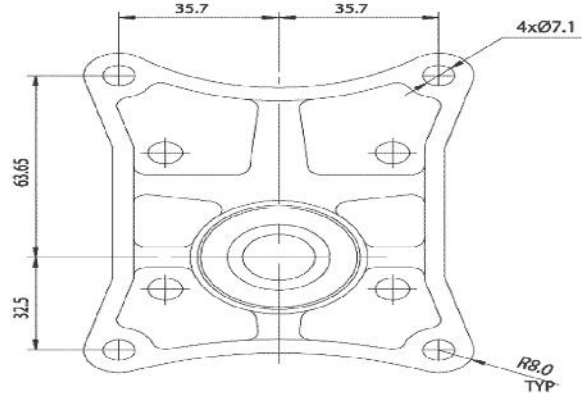
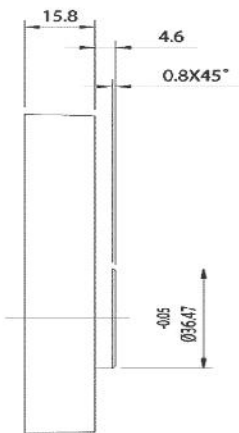
Drive Shaft



**Mounting Flange
CODE-S**

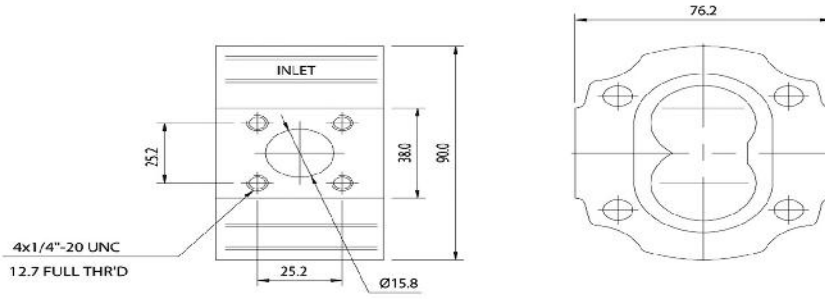


CODE-D

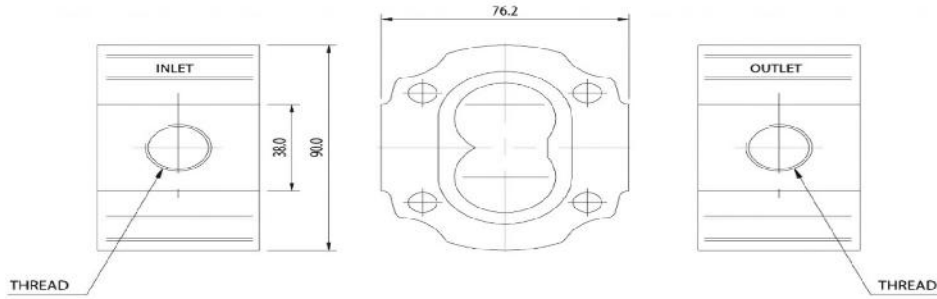


Body

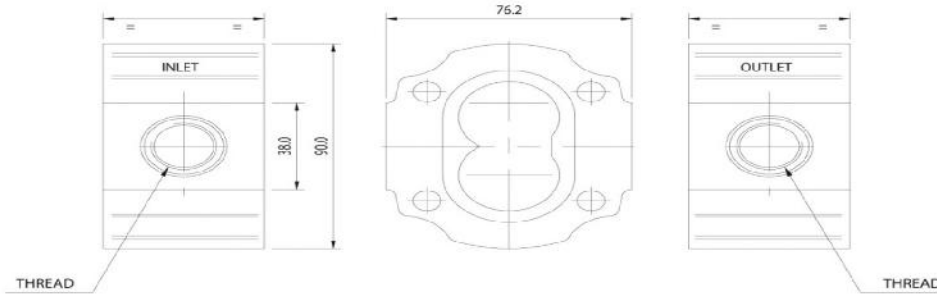
Body Port: Code - F



Body Port: Code - T

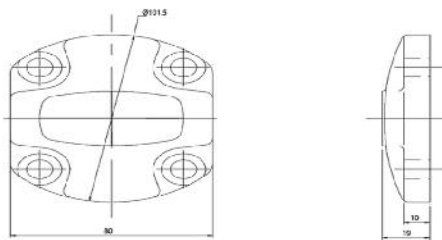


Body Port: Code - J

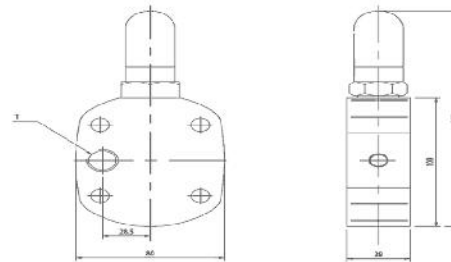


End Cover

Code - B

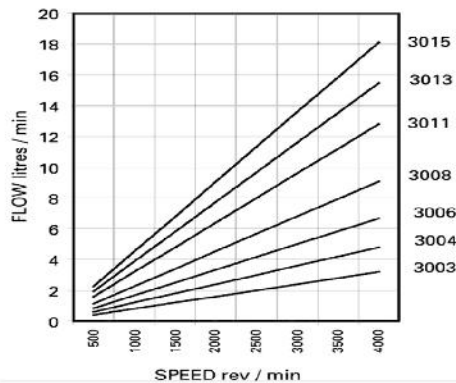


Code - R



Typical Performance

TYPICAL PUMP DELIVERY
Flow at Max. Pressure.



TYPICAL INPUT HORSEPOWER
Fluid SAE 20W
Fluid Temperature 50° C

